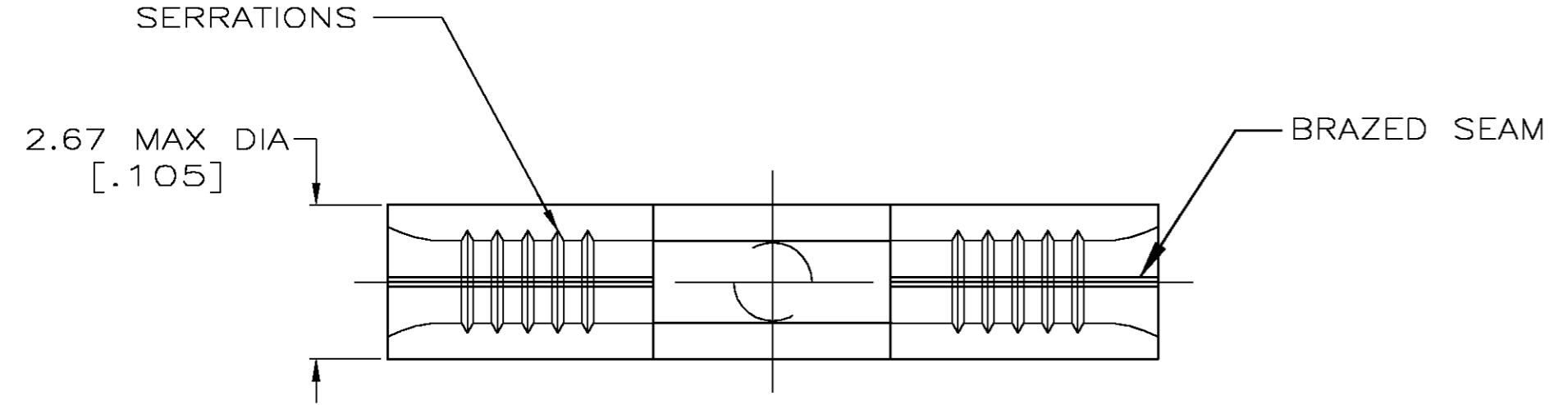


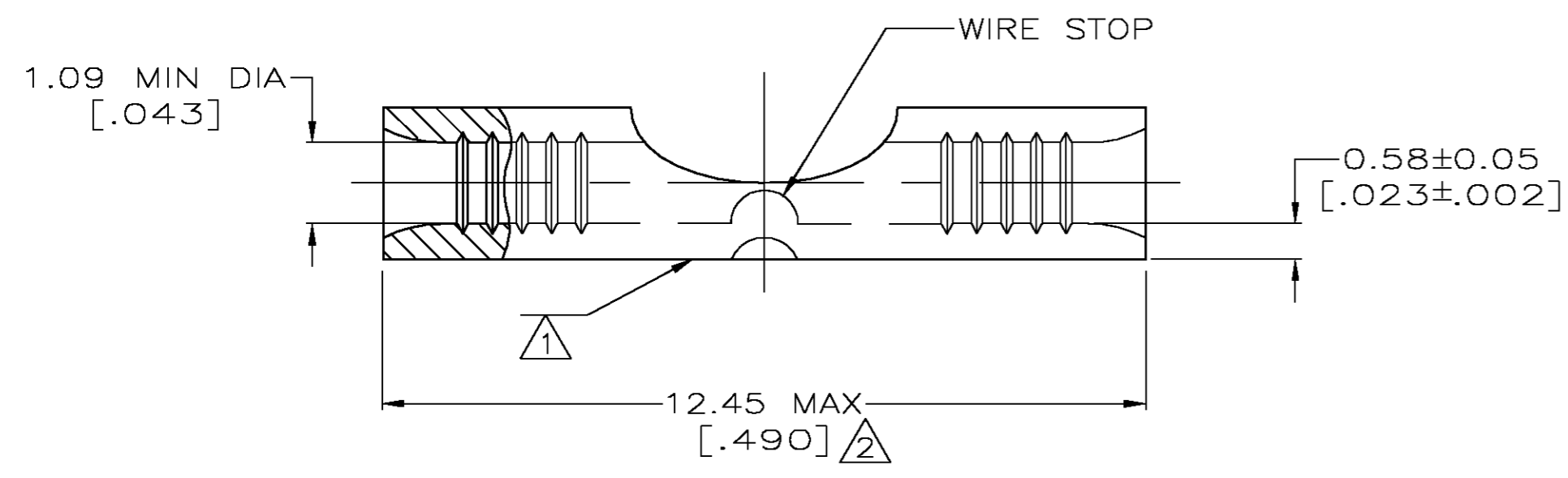
THIS DRAWING IS UNPUBLISHED. RELEASED FOR PUBLICATION
 © COPYRIGHT BY TYCO ELECTRONICS CORPORATION. ALL RIGHTS RESERVED.

LOC	DIST	REVISIONS			
P	LTR	DESCRIPTION	DATE	DWN	APVD
G	14	F	REV PER 0G3A-0619-04	06AUG04	JR MS

AMP WIRE RANGE	Listed FILE E13288	LR7189 Certified
22-10 AWG SOLID OR STRANDED	22-10 AWG SOLID OR STRANDED	22-10 AWG SOLID OR STRANDED



- 1 STAMP AMP APPROX AS SHOWN
- 2 MAXIMUM LENGTH DOES NOT INCLUDE MANUFACTURING TABS
- 3 COPPER PER ASTM B-152, ANNEALED
- 4 TIN PLATE 0.00254 [.000100] MIN PER ASTM B-545
- 5 CLEANED, UNPLATED



QTY	PACKAGE TYPE	FINISH	PART NO
100	LOOSE PIECE, BOX	4	8-324001-1
--	LOOSE PIECE	5	1-324001-2
----	LOOSE PIECE	4	324001

AMP INCORPORATED
CUSTOMER SERVICE SYSTEMS

MAX RECOMMENDED OPERATING TEMPERATURE:
170°C MAX

VOLTAGE RATING:
N/A

CIRCULAR MIL AREA:
0.16-0.65mm² [320-1,290]
SOLID OR STRANDED

FOR ADDITIONAL PRODUCT INFORMATION OR COPIES OF DRAWINGS AND TECHNICAL DOCUMENTS
PRODUCT INFORMATION CENTER
1-800-522-6752

FOR APPLICATION TOOLING INFORMATION
TOOLING ASSISTANCE CENTER
1-800-722-1111

FOR ORDER ENTRY
1-800-526-5142

THIS DRAWING IS A CONTROLLED DOCUMENT FOR AMP INCORPORATED. IT IS SUBJECT TO CHANGE AND THE CONTROLLING ENGINEERING ORGANIZATION SHOULD BE CONTACTED FOR THE LATEST REVISION.

THIS DRAWING IS A CONTROLLED DOCUMENT.

DIMENSIONS: MM [INCHES]

TOLERANCES UNLESS OTHERWISE SPECIFIED:
 0 PLC ± -
 1 PLC ± -
 2 PLC ± -
 3 PLC ± -
 4 PLC ± -
 ANGLES ± -

MATERIAL: COPPER 3

FINISH: SEE TABLE

THIS DRAWING IS A CONTROLLED DOCUMENT. DWN TA BRINKMAN 4-13-93
 CHK DA PATTERSON 4-13-93
 APVD JL MECKLEY 4-13-93

tyco Electronics Tyco Electronics Corporation
Harrisburg, Pa 17105-3608

NAME: SPLICE, BUTT, STRAP, SOLISTRAND

SIZE: A2 CAGE CODE: 00779 DRAWING NO: C=324001 RESTRICTED TO: -

WEIGHT: - SCALE: 10:1 SHEET: 1 OF 1 REV: F

CUSTOMER DRAWING

324001

A